

Welch Allyn 719 Series Lithium Ion Handle and USB Charging Accessory



Directions for use

- | | |
|--------------------------|-------------------------------|
| A - Directions for use | M - Istruzioni per l'uso |
| B - Указания за употреба | N - Naudojimo instrukcijos |
| C - Návod k použití | O - Lietošanas pamācība |
| D - Brugsanvisning | P - Gebruiksaanwijzing |
| E - Gebrauchsanweisung | Q - Bruksanvisning |
| F - Οδηγίες χρήσης | R - Instrukcja obsługi |
| G - Instrucciones de uso | S - Instruções de utilização |
| H - Kasutusjuhend | T - Instrucțiuni de utilizare |
| I - Käyttöohje | U - Návod na použitie |
| J - Mode d'emploi | V - Navodila za uporabo |
| K - Upute za uporabu | W - Bruksanvisning |
| L - Használati utasítás | X - Kullanım talimatları |

WelchAllyn®

Advancing Frontline Care™

© 2018 Welch Allyn. All rights are reserved. To support the intended use of the product described in this publication. The purchaser of the product is permitted to copy this publication, for internal distribution only, from the media provided by Welch Allyn. No other use, reproduction, or distribution of this publication, or any part of it, is permitted without written permission from Welch Allyn.

Welch Allyn assumes no responsibility for any injury to anyone, or for any illegal or improper use of the product, that may result from failure to use this product in accordance with the instructions, cautions, warnings, or statement of intended use published in this manual.

For information about any Welch Allyn product, contact Welch Allyn Technical Support.

727009 DIR

80022350 Ver. C

Revised: 2018-04

REF This manual applies to 901087, the 719 Series Lithium Ion Handle



Welch Allyn, Inc.
4341 State Street Road
Skaneateles Falls, NY 13153 USA
www.welchallyn.com

EC REP

Regulatory Affairs Representative
Welch Allyn Limited
Navan Business Park
Dublin Road
Navan, County Meath,
Republic of Ireland



WelchAllyn[®]
Advancing Frontline Care[™]

Contents

Introductory information	1
Introduction	1
Symbols	1
About warnings and cautions	2
Parts list	4
Device information	5
Charge the device	5
Low battery indicator	6
Operate the device	6
Clean the device	6
Battery replacement	7
Remove the battery section	7
Replace a new battery section	7
Device disposal	9
Service and support	11
Service	11
Support	11
Appendices	13
Specifications	13
Guidance and Manufacturer's Declarations	13
Warranty	17

Introductory information

Introduction

Thank you for purchasing the Welch Allyn 719 Series Lithium Ion Power Handle. The handle is intended to be used as a power source for all Welch Allyn standard instrument heads. The 719 series represents a new generation of handles from Welch Allyn. Taking advantage of new battery technology, the 719 series provides you double the on-time in a smaller and lighter weight package. Smarter battery technology means that "memory" is no longer an issue. What's more, the 719 reminds you to recharge with its low battery indicator. The soft rheostat section provides a sure grip and the overall design is ergonomically sound.

Before using this product, please read the following warnings and instructions.

Symbols

Documentation symbols



Warning: The warning statements in this manual identify conditions or practices that could lead to illness, injury, or death.



Caution: The caution statements in this manual identify conditions or practices that could result in damage to the equipment or other property, or loss of data.











Consult directions for use (DFU). A copy of the DFU is available on this website. A printed copy of the DFU can be ordered from Welch Allyn for delivery within 7 calendar days.

Power symbols




Direct current (DC)

Shipping, storing, and environment symbols

	Relative humidity limits: Operating: 10% – 95% Transport/storage: 10% – 95%		Separate collection of Electrical and Electronic Equipment. Do not dispose as unsorted municipal waste.
	Temperature limits: Operating: 50° F (10° C) – 104° F (40° C) Transport/storage: –4° F (–20° C) – 120° F (49° C)		Atmospheric air pressure: 500 hPa – 1060 hPa
	Recycle		Do not use if box is damaged
	Fragile		Keep dry

Miscellaneous symbols

R_x ONLY	For use by or on the order of a licensed medical professional	CE	Meets essential requirements of the European Medical Device Directive 93/42/EC
REF	Product Identifier		Manufacturer
#	Reorder number, Model number	EC REP	Authorized Representative in the European Community
GTIN	Global Trade Identification Number	IPX0	Equipment not protected against the ingress of water
LOT	Lot code		

About warnings and cautions

Caution statements can appear on the Welch Allyn device, the charging accessory, the packaging, the shipping container, or in this *Directions for use*.

The Welch Allyn device and charging accessory are safe for patients and clinicians when used in accordance with the instructions and caution statements presented in this *Directions for use*.

Before using the device and charging accessory, you must familiarize yourself with all cautions, with the steps to power up the device and charging accessory, and with the sections of this *Directions for use* that pertain to your use of the device and charging accessory. In addition to reviewing the general cautions presented in the next section, you must also review the more specific cautions that appear throughout the manual in conjunction with operation and maintenance tasks.

- Failure to understand and observe any warning statement in this manual could lead to patient injury or illness.
- Failure to understand and observe any caution statement in this manual could lead to damage to the equipment or other property.

General warnings and cautions



Warning Electric shock hazard. Do not open the handle or charging accessory or attempt repairs. The handle and USB charger have no user-serviceable internal parts. Only perform routine cleaning and maintenance procedures specifically described in this manual. Inspection and servicing of internal parts shall only be performed by qualified service personnel.



Warning Patient injury risk. To avoid the risk of fire, burns, or damage to your battery pack or lamp, prevent metal objects from touching across the positive and negative battery contacts.



Warning Patient injury risk. Charge the device outside the patient vicinity.



Warning Fire and explosion hazard. Do not operate the device or charging accessory in the presence of a flammable anesthetic mixture with air, oxygen, or nitrous oxide; in oxygen-enriched environments; or in any other potentially explosive environment.



Warning Personal injury risk. Improper handling of the battery can lead to heat generation, smoke, explosion, or fire. Do not short-circuit, crush, incinerate, or disassemble the battery. Never dispose of batteries in refuse containers. Always recycle batteries according to national or local regulations.



Warning Personal injury risk. No modification of this equipment is allowed.



Warning Personal injury risk. Use only Welch Allyn approved accessories, and use them according to the manufacturer's directions for use.



Warning Personal injury risk. This product contains chemicals known to the State of California to cause cancer and birth defects or other reproductive harm.



Warning Electromagnetic interference risk. The device complies with applicable domestic and international standards for electromagnetic interference. These standards are intended to minimize medical equipment electromagnetic interference. Although this device is not expected to present problems to other compliant equipment or be affected by other compliant devices, interference issues still may occur. As a precaution, avoid using the device in close proximity to other equipment. In the event that equipment interference is observed, relocate the equipment as necessary or consult the manufacturer's directions for use.



Warning Personal injury risk. Use of accessories other than those specified may result in increased emissions or decreased immunity of the equipment.



Warning Personal injury risk. Do not use if device, accessory, or packaging appears and/or is damaged.



CAUTION This device is intended only for adult use in homes.

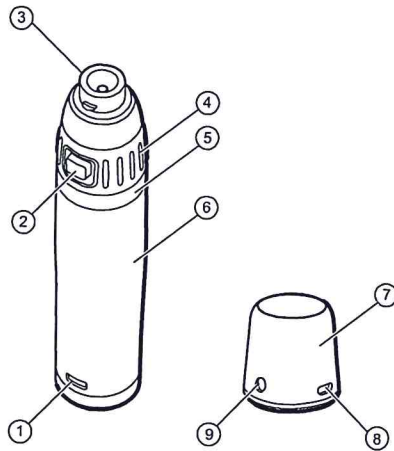


CAUTION Use only with USB compliant power and/or data ports.



CAUTION Use the 719 Series handle only with Welch Allyn approved accessories and charging accessories.

Parts list

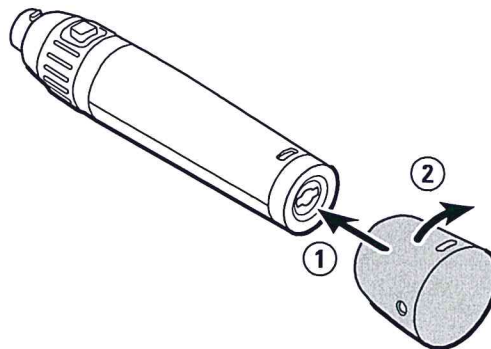


No.	Feature
1	Low battery indicator
2	On/Off button
3	Instrument head attachment
4	Rheostat section
5	Chrome ring
6	Battery section (71960)
7	USB charging module
8	USB Micro-B port
9	Charging indicator light

Device information

Charge the device

1. Remove instrument head and insert the T-stud on the USB charging module into the T-slot on the battery section.
2. Rotate 90° in either direction.



The T-stud will lock into place.

3. Using the Welch Allyn-supplied USB cable, connect the Micro-B end of the cable to the charging module.



CAUTION Use only with USB compliant power and/or data ports.

4. Connect the USB-A end of the cable to the charging source.
5. Charge for 18 continuous hours to charge a fully discharged battery.

The charging indicator on the USB charger will blink during charging and then stay on when the battery section is fully charged.

The battery may be charged after partial discharge without negatively affecting overall battery memory (unlike Ni-Cad cells).

Note Do not attempt to use or service the instrument during charging. The handle will not supply power to any instrument head while charging.

6. When charging is complete, disconnect the handle and charging accessory from the USB cable.

Do not leave the USB charging module plugged into a USB port without the handle attached.

7. After charging is complete, remove the USB charging module from the battery section if desired.



CAUTION The battery section is not shipped fully charged. For maximum performance, charge the battery section for 18 hours when new or after a long period of inactivity.

Note The handle is only compatible with the 71943 charging base, 71950 AC charging accessory, 71955 USB charging accessory, and the 7114X desk charger.

Low battery indicator

The low battery indicator will illuminate several minutes before the handle shuts off, depending on the age of the battery.

Once the battery is fully discharged, the low battery indicator may flicker.

Operate the device

1. Connect instrument head to the handle.
2. To turn on, press the On/Off button on the rheostat section and rotate the rheostat section clockwise (CW).
3. To intensify the light, continue to rotate CW until a stop is reached.
4. To turn off, rotate counter clockwise (CCW). The On/Off button will click when fully off.

Note Turn fully off after each use to ensure maximum on-time from the battery.

Clean the device

Do not soak/saturate the handle assembly or charger.
Do not immerse handle assembly or charger in any solution.

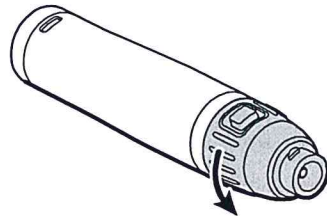
Do not sterilize the 719 Series power handle, charging base, or charger.

1. Wipe the handle and charger with an appropriate health care low- or intermediate-level cleaner/disinfecting wipe that incorporates either a 1:10 sodium hypochlorite (bleach) solution or isopropyl alcohol as the active disinfection ingredient.
2. Follow wipe manufacturer's instructions for appropriate use, contact times and applicable warnings and precautions.

Battery replacement

Remove the battery section

1. Hold the instrument handle firmly by the battery section.
2. Turn the rheostat section counterclockwise until it detaches from the battery section.



Replace a new battery section

1. Insert the rheostat section into the new battery section.
2. To connect the two sections, turn the rheostat section clockwise until tight.
3. Ensure that the rheostat section is secure on the battery section of the instrument handle.